

Conventional Waterproof Constant Voltage Driver

-----20W

Features:



- Output constant voltage
- Input range 170-265VAC 90-130VAC
- Efficiency 85% max.
- Protections:short circuit/ over voltage/over temperature
- Cooling by free air convection
- IP67 design for indoor or outdoor installations .
- Suitable for LED lighting and moving sign applications
- Compliance to worldwide safety regulations for lighting
- Suitable for dry/damp/wet locations

Specification

IP67 RoHS CE

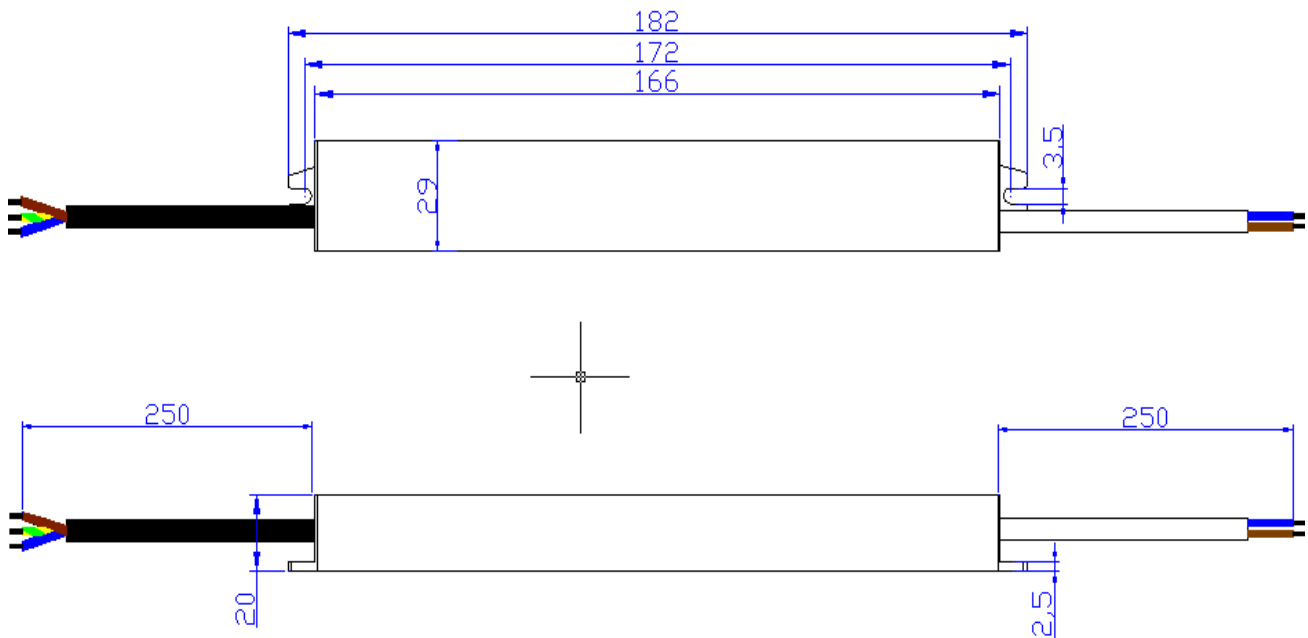
Model		KV-05020-A	KV-12020-A	KV-24020-A
Output	DC Current	4A	1.67A	0.83A
	Voltage Accuracy	±0.5V		
	Output voltage	5V	12V	24V
	Rated power	20W	20W	20W
	Ripple&noise Max.	120mVp-p	200mVp-p	250mVp-p
Input	Voltage Range	170~265VAC or 90-130V AC (90~265VAC can customized)		
	Frequency Range	47~63HZ		
	Power Factor (Typ.)	PFC can be customized! Usually, PFC=0.6.		
	Full Load Efficiency (Typ.)	81%	83%	85%
	AC Current (Typ.)	0.24A/170VAC 0.18A/220VAC 0.15A/265VAC(PFC=0.6)		
	Leakage current	< 0.25mA/220VAC		
Protection	Short Circuit	Protection type: Hiccup mode, recovers automatically after fault condition is removed		
	Over voltage	≦ 280VAC		
	Over temperature	100°C±10°C shut down o/p voltage, re-power on to recover		
Environment	Working TEMP.	-40~+60°C		
	Working Humidity	20~95%RH,non-condensing		
	Storage TEM.,Humidity	-40~+80°C, 10~95%RH		
	TEMP.coefficient	±0.03%/°C (0~50°C)		
	Vibration	10~500Hz, 5G 12min./1 cycle, period for 72min.each along X,Y,Z axes		
Safety	Safety standards	EN61347-2-13.IP67		

Conventional Waterproof Constant Voltage Driver

-----20W

	Withstand voltage	I/P-O/P:3.75KVAC I/P-FG:1.88KVAC O/P-FG:0.5KVAC	
	Isolation resistance	I/P-O/P I/P-FG O/P-FG: 100MΩ/500VDC/25°C/70%RH	
	EMC EMISSION	Compliance to EN55015, EN61000-3-2 (≥ 50%Load)	
	EMC IMMUNITY	Compliance to EN61000-4-2,3,4,5,6,8,11, EN61547, Aligh industry	
Others	Weight	0.22Kg	0.20KG
	Size	182*29*20mm (L*W*H)	160*29*20(L*W*H)
	packing	324*224*188mm/50pcs	
Notes	<p>1. All parameters NOT specially mentioned are measured at 220VAC input , rated load and 25°C of ambient temperature.</p> <p>2. Ripple& noise are measured at 20MHz of bandwidth by using a 12”twisted pair-wire terminated with a 0.1uf & 47uf parallel capacitor.</p> <p>3. Tolerance: includes set up tolerance, line regulation and load regulation .</p>		

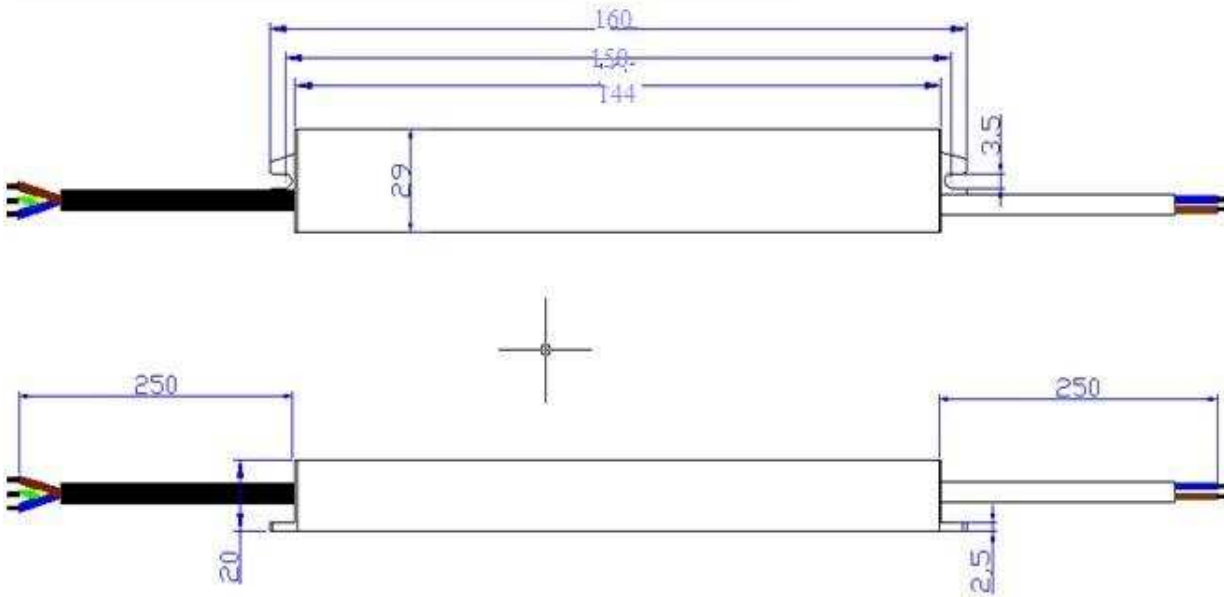
■ 5V 20W conventional constant voltage driver Mechanical Specification



■ 12V 24V 20W conventional constant voltage driver Mechanical Specification

Conventional Waterproof Constant Voltage Driver

-----20W



※Input VDE H03VV-F 3G *0.75m m², the green/yellow cable connect with (FG), Brown with AC (L),Blue with AC(N)

※Output VDE H03VV-F 2G*0.75m m², Brown is output (V+) ,Blue is output (V-)

※Note: Any other requests we can customized.

■Load derating curve

